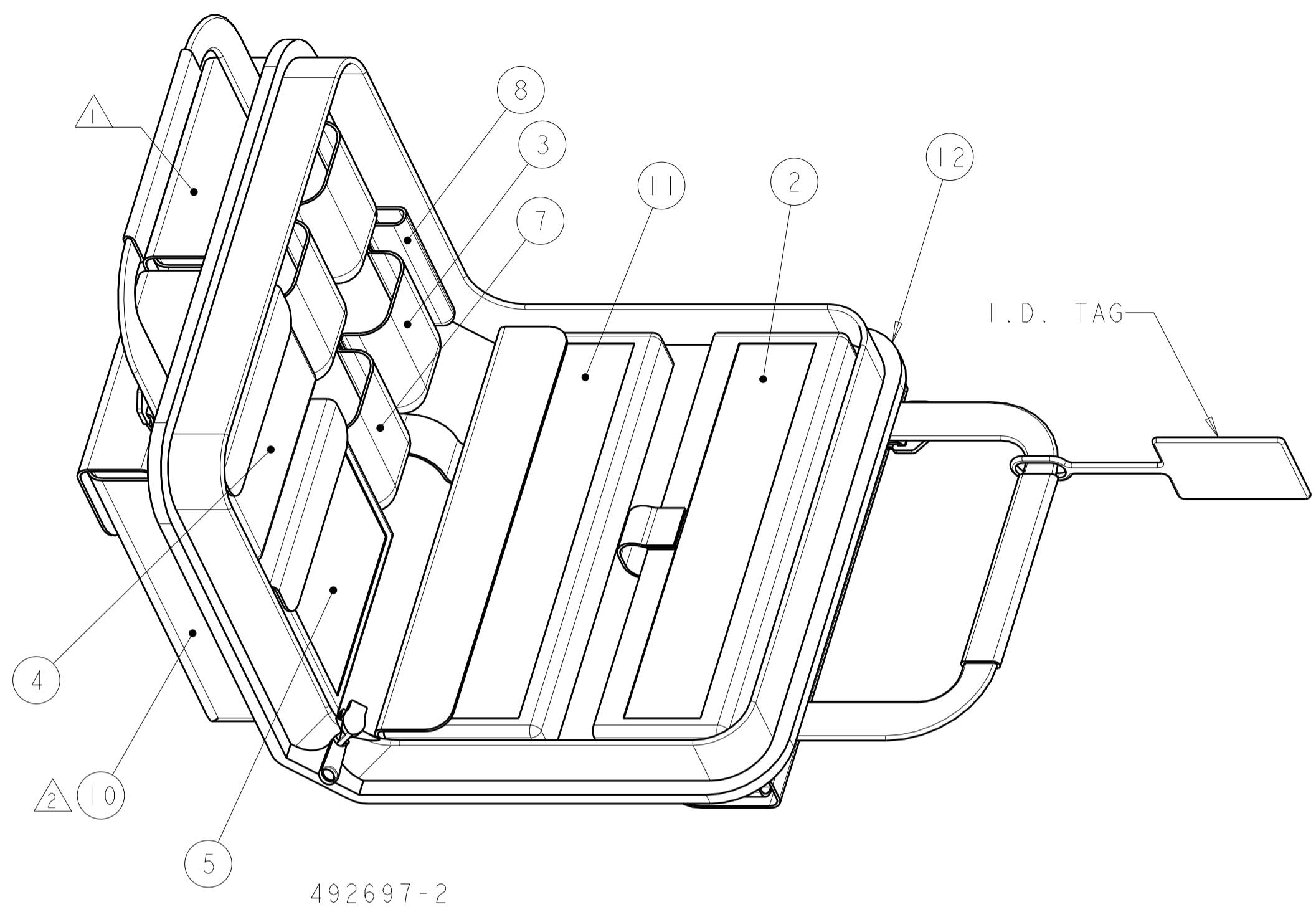


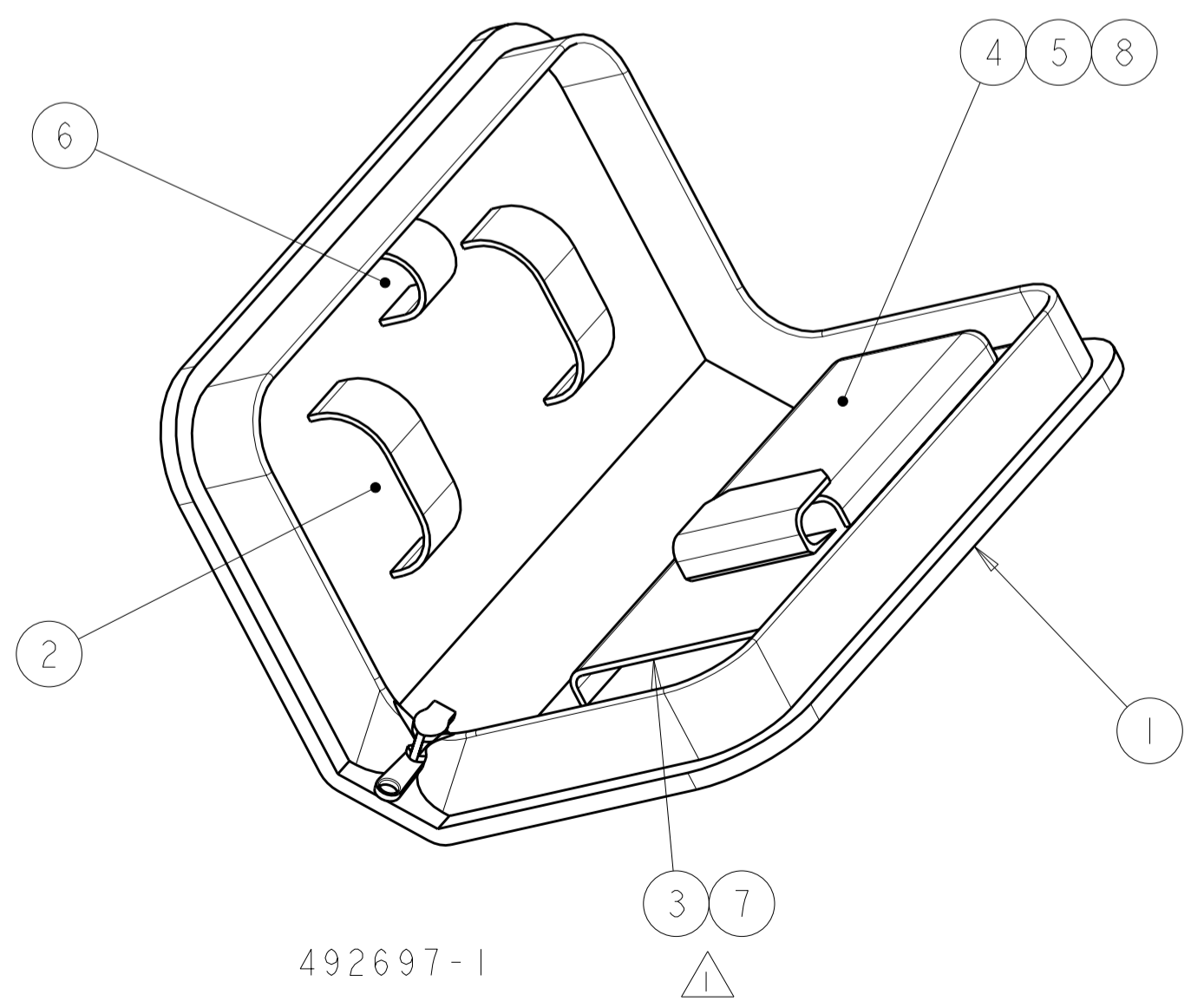
THIS DRAWING IS UNPUBLISHED. RELEASED FOR PUBLICATION 20  
 © COPYRIGHT 20 BY TYCO ELECTRONICS CORPORATION. ALL RIGHTS RESERVED.

LOC		DIST		REVISIONS			
P	LTR	DESCRIPTION	DATE	DWN	APVD		
	H	REV PER ECR-06-008849	19MAY2006	BB	DK		



△ TYCO INSTRUCTION SHEETS AND MANUFACTURER'S INSTRUCTION SHEETS.  
 △ OPTIONAL SHOULDER STRAP.

492697-2



492697-1

1	-	1278540-1	PREMIUM SOFTCASE	12
1	-	1754767-1	200x MICROSCOPE	11
1	-	1871696-1	FIBER CLEAVER, SLIDE CUTTER	10
1	1	1374503-1	CD ROM, TERMINATION TRAINING	9
2	2	1278422-1	OPEN END WRENCH, 1/4	8
1	1	1278637-1	KEVLAR SHEARS	7
-	1	492674-1	CLEAVE TOOL, JDS	6
1	1	492703-1	CABLE CLAMP, LightCrimp Plus ST	5
14	14	501857-2	ALCOHOL WIPES	4
1	1	1754708-1	FIBER STRIP TOOL, COMB.	3
1	1	492623-1	HAND TOOL WITH DIESET, ST	2
-	1	492323-1	SOFT CASE	1
-2	-1	PART NUMBER	DESCRIPTION	ITEM NO.

<small>THIS DRAWING IS A CONTROLLED DOCUMENT FOR TYCO ELECTRONICS CORPORATION. IT IS SUBJECT TO CHANGE AND THE CONTROLLING ENGINEERING ORGANIZATION SHOULD BE CONTACTED FOR THE LATEST REVISION.</small>		DWN B. BRIGGS 19MAY2006 CHK D. KIRSCH 19MAY2006 APVD S. BUCHTER 19MAY2006	<b>tyco</b> <b>Electronics</b> Tyco Electronics Harrisburg, PA 17105-3608
DIMENSIONS: mm 	TOLERANCES UNLESS OTHERWISE SPECIFIED: 0 PLC ± 1 PLC ± 2 PLC ± 3 PLC ± 4 PLC ± ANGLES ± FINISH	PRODUCT SPEC APPLICATION SPEC WEIGHT	NAME TERMINATION KIT, LightCrimp Plus, ST STYLE SIZE A2 CAGE CODE 00779 DRAWING NO. C-492697 RESTRICTED TO
MATERIAL		CUSTOMER DRAWING	SCALE NTS SHEET 1 OF 1 REV H